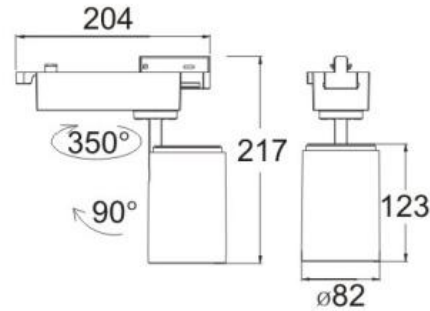


LED TRACK LIGHT SERIES



CGD-R032-1



Specifications

Mode		CGD-R032-1					
Input Voltage	Non-Dimmable	AC100-240V 50/60Hz, AC200-240V 50/60Hz					
LED Current		DC 700mA					
Light source		COB LED					
Power		25W ± 10%					
CCT		2700/3000K/4000K/5000K					
Beam Angle		36°					
Operation Temperature		-20°C-+50°C					
Lamp working temperature		≤60°C					
Life Span		50000Hours					
CRI		>80					
Luminous Flux	2700 K	15°	1854 lm ± 5%	24°	1811 lm ± 5%	38°	1794 lm ± 5%
	3000 K		1878 lm ± 5%		1844 lm ± 5%		1812 lm ± 5%
	4000 K		1928 lm ± 5%		1899 lm ± 5%		1883 lm ± 5%
	5000 K		2139 lm ± 5%		2055 lm ± 5%		2020 lm ± 5%
Surface Color		White					